

# PROJECTOR LIFT

## SI-H L 100



The **PROJECTOR LIFT SI-H L 100** is studied in order to support large and heavy video projectors up to 30 Kg. of weight. The SI-H L 100 is supplied with an extremely silent motor that allows a descent of a minimum of 15,5 cm. to a maximum extent of 97 cm.

Moreover it is supplied with extendable side brackets in order to allow an easy fixing of the panel of your false ceiling by adjustable threaded bars. The panel can be mounted under the projector, even if the projector is larger as the lift itself.

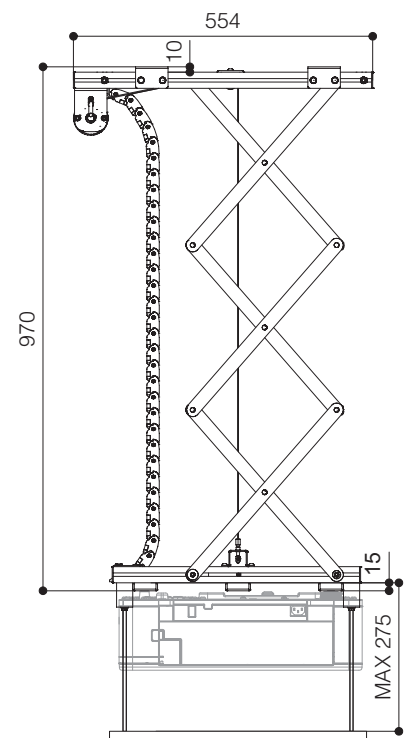
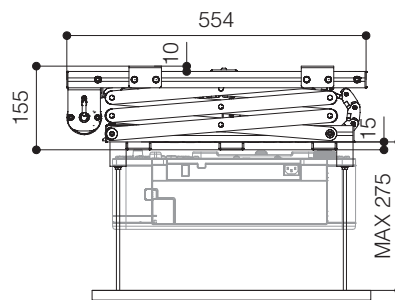
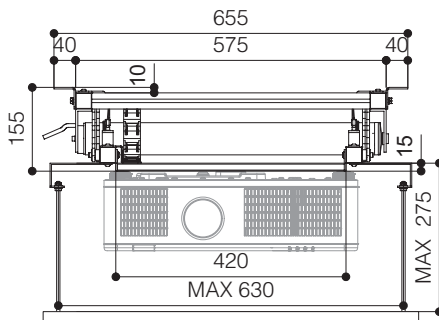
The lift SI-H L 100 is equipped with two **safety screws** that prevent the lift to extend further to the preset end stop.

\* Ceiling cover plate is **NOT** included

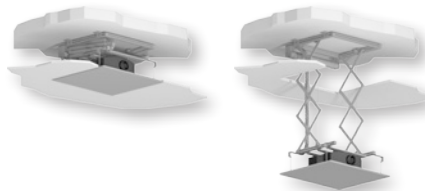
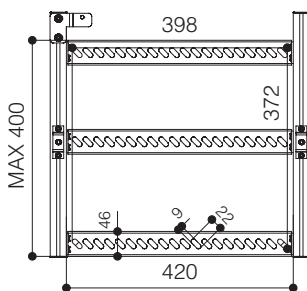
Frontal view closed

Side view closed

Side view open



Maximum size fixing points projector



### Optionals:

- Ceiling tile holder (details p. 64)
- Kit RF remote control with external receiver (details p. 62)
- Interface switch 12 volt (details p. 63)
- Low voltage contact interface (details p. 62)

## TECHNICAL SPECIFICATIONS

POWER SUPPLY	220-230V - 50HZ
MAXIMUM CONSUMPTION	184 W
TORQUE	20 Nm
MOTOR SPEED	17 rpm
MINIMUM DIMENSIONS LIFT CLOSED	575x155x554 (WxHxD in mm)
DIMENSIONS LIFT OPENED	575x970x554 (WxHxD in mm)
MAXIMUM SIZE FIXING POINTS PROJECTOR	398x372 (WxD in mm)
MAXIMUM OVERALL SIZE OF PROJECTOR	570x600 (WxD in mm)
MAXIMUM LOAD	30 Kg
NET WEIGHT OF THE PROJECTOR LIFT	12 Kg
CABLE GATHERING SYSTEM	20x18 (WxH in mm)

The measures in the drawings are expressed in millimetres.

Warranty: 5 years on the motor - 24 months on the other components

