



euroscreen® Sesame 2.1

SCREEN SURFACES



Arctiq

Matt white front surface, fibre glass support, black-backed. Gain 1.0



GreyLight

Grey front surface, fibre glass supported, black-backed. Gain 0.75



Xpert

White front surface, black-backed. PVC free. Flame retardant (B1). Excellent surface flatness and colour temp. Gain 1,0.

PROJECTION FORMATS

1:1

The screen format is 1:1. No black borders.

4:3

The screen has 5 cm wide black borders. The format of the viewing area is 4:3.

16:10

The screen has 5 cm wide black borders. The format of the viewing area is 16:10.

16:9

The screen has 5 cm wide black borders. The format of the viewing area is 16:9.

CONTROL OPTIONS



Installation

5m cable. Needs to be installed by electrician.



Accessories

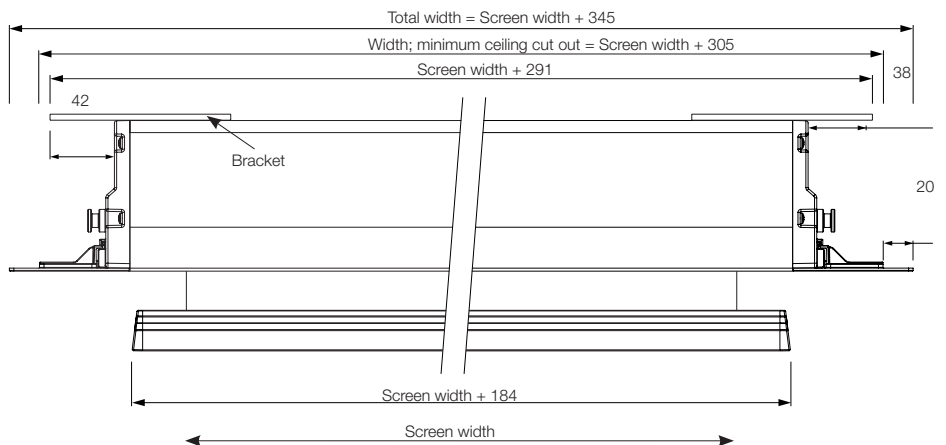
Euroscreen® Control Box is recommended to add additional controls for convenience. The basic add-ons are:

- IR transmitter
- AutoLink
- 12V trigger cable

For full description of options please see separate spec sheet.

Euroscreen® Sesame 2.1 is an upgrade from the award winning, sophisticated recessed projection screen designed for installation in suspended or plastered ceilings. The model has a clever design of the bottom dowel which closes the case flush when the screen is not used, and the white aluminium case is equipped with unique removable end flanges for quick access and installation. The distinctive feature with a concealed drop function of screen section allows for installation in prepared ceiling cut-out later on during the construction process. The screen is stylish in its appearance with external flange profiles which are integrated with the case. Optional brackets for trouble-free installation in recessed ceilings are available.

SCREEN DIMENSIONS



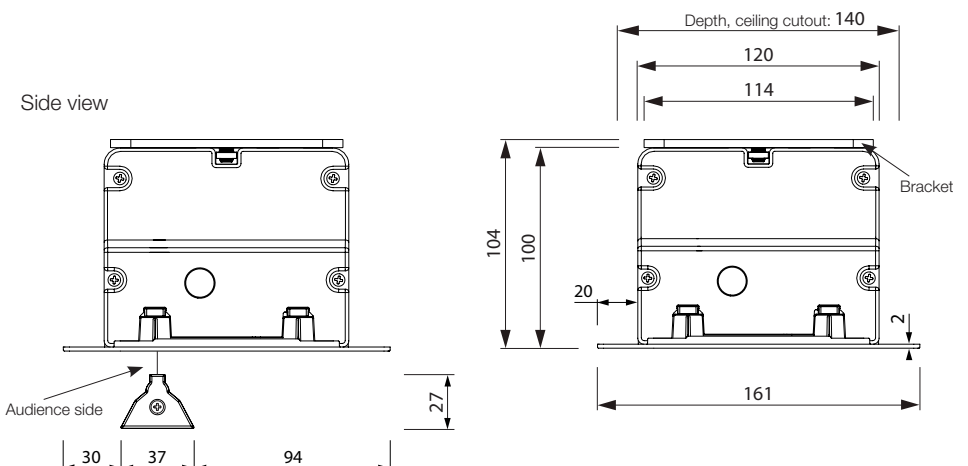
Considerations regarding cut out width

Minimum cut out width: screen width + 305

Maximum cut out width: screen width + 343

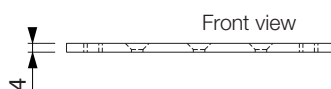
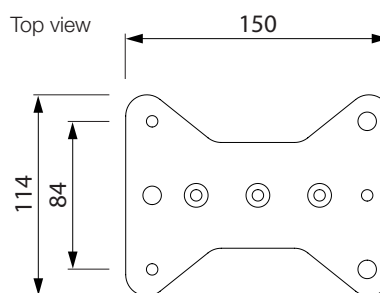
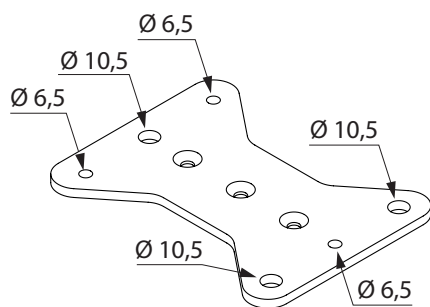
Recommended cut out width: screen width + 325

CASE DIMENSIONS

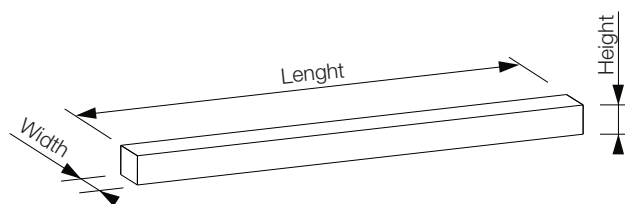


BRACKET DIMENSIONS

Brackets are included in all Sesame products.



PACKAGING DIMENSIONS



Screen width	Box length	Box width	Box height
1600	2040	245	250
1800	2240	245	250
2000	2440	245	250
2200	2640	245	250
2400	2840	245	250
2700	3140	245	250
3000	3440	245	250