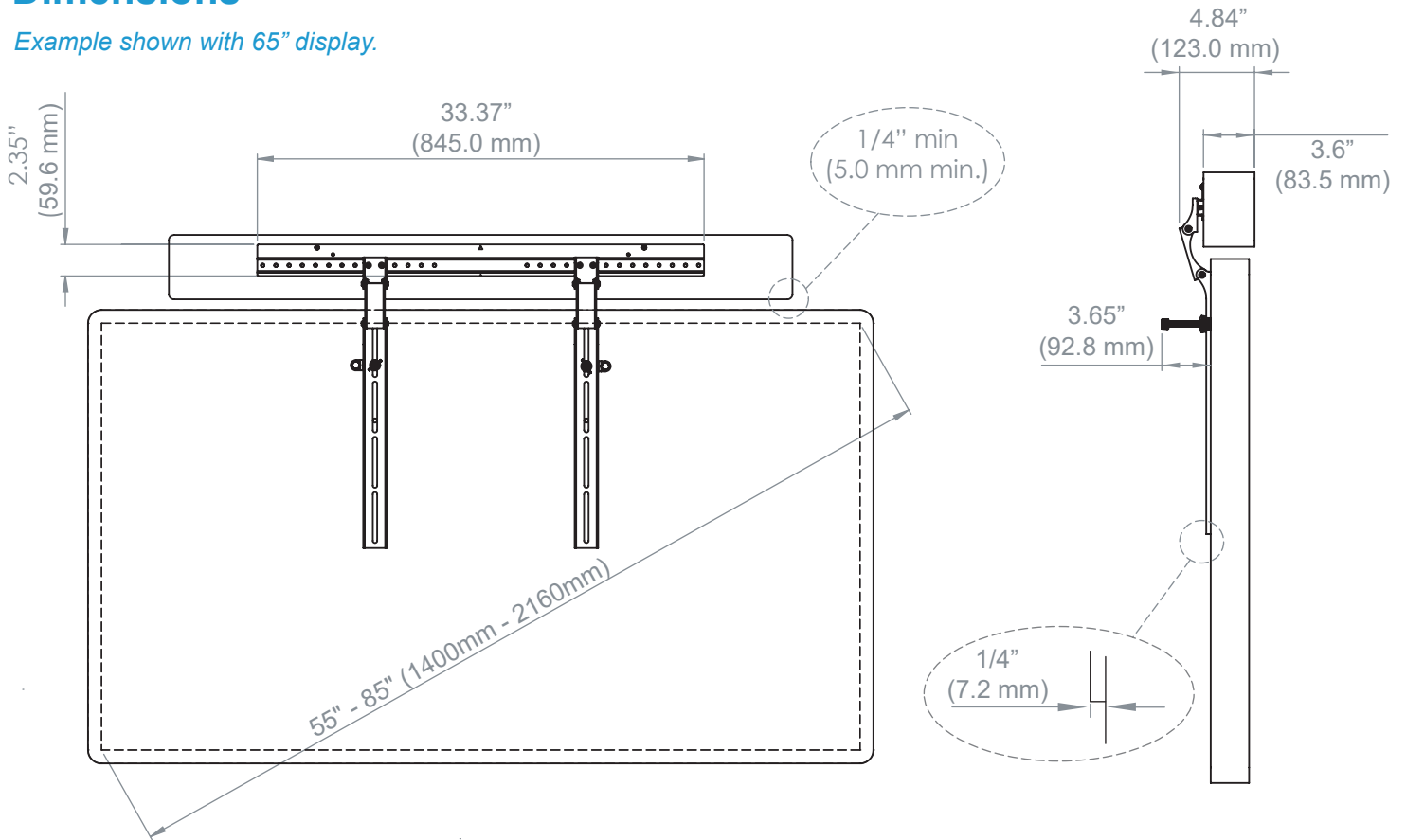


# HDL200 Display Mount

## Dimensions and supported VESA patterns

### Dimensions

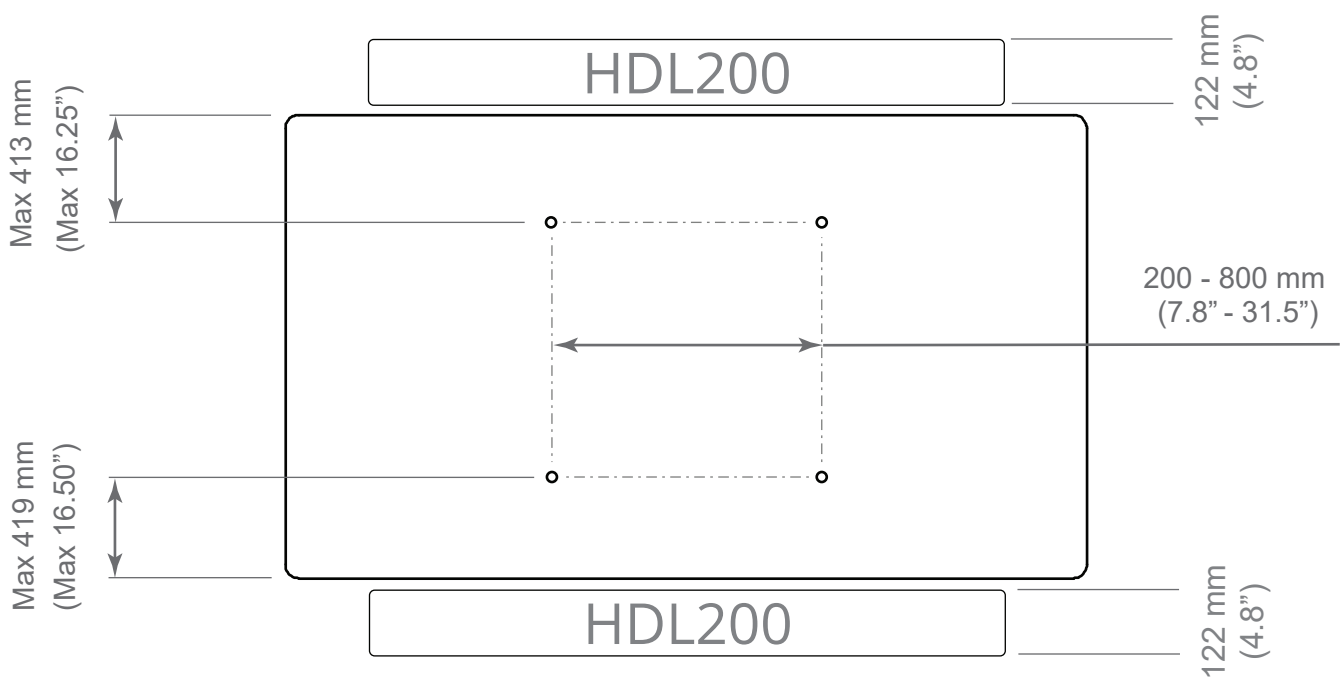
Example shown with 65" display.



### Supported VESA patterns

The HDL200 Display Mount is designed to fit most 55"-85" displays that accept VESA mounts meeting the following requirements:

- Horizontal spacing: 200 - 800 mm
- Top mounting: the top Vesa holes on the display must be within 413 mm from the top of the display
- Bottom mounting: the bottom Vesa holes on the display must be within 419 mm from the bottom of the display



support@nureva.com  
1.844.370.2111

