

# Touchscreen Stands

## TV fixing

**Material** – painted steel  
**Colour** – Matte black  
**VESA** – até 60 x 40  
**Movement** – Does not allow  
**Distance from the floor** – 1914cm  
**Screws for TV fixing**  
 - M6 or M8

## Column

**Material** – painted steel  
**Colour** – grey, other by request  
**Glass** – optional  
**Cable management**– From the inside of the structure  
**With door**

## Floor base

**Material** – painted steel  
**Colour** – Matte black  
**Dimension**– 900x450 cm



## Characteristics

**Function** - stand for touchscreen monitor 40-60'' - adapted to the screen .

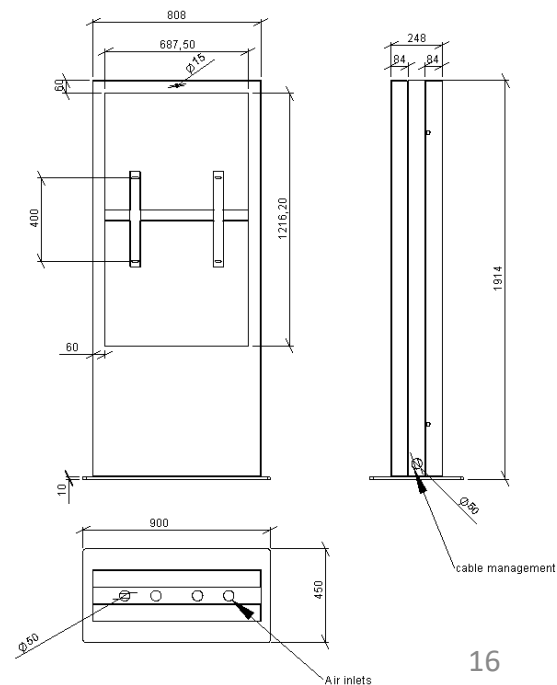
**Maximum load**- 85,00Kg

**Weight**– 95,00Kg

**Boxes**- 2

**Dimensions** – 0,980 x 0,520 x 0,070  
 2,00 x 0,880 x 0,320

**Volume** - 0,60 m<sup>3</sup>



Code – **1309999**