

# datavideo

## Universal Remote Control Panel RMC-300A



# Universal Remote Control Panel RMC-300A

Datavideo RMC-300A is a multi-functional Multi-camera Controller. It is able to control up to 24 PTZ and block cameras by Ethernet or up to 8 cameras by serial port RS-422 transmission. The RMC-300A is versatile to control Datavideo PTZ cameras and Robotic Head to set up the parameters via RS-422 or DVIP, and also capable of controlling Datavideo recorder and switcher up to 12 channels. With the combination of friendly user interface on 5" panel and hardware buttons, RMC-300A enable users to manage heavy EFP workflow without haste.





## User friendly interface on 5 inch LCD touch panel

5 inch LCD touch panel design and RGB backlight buttons to help you better recognition for multi-function operation. This provides the operator great feedback during operation.



## Control 24 cameras

Designed to control up to 24 cameras, with preset memory for easy camera control. Able to control up to 24 Datavideo PTZ camera, robotic camera heads and block cameras simultaneously, 7 presets for each camera to operate with RGB backlight buttons.



## LCD displays GUI for Operability and Visibility

Our graphical LCD displays support buttons, and advanced setting. The combine large buttons and labels with different levels of detail using.

Easy access all the cameras setting, and call back your favorite settings such as Shutter, Focus, IRIS, Gain, Zoom, and movement speeds.



## Professional use

One man control of Pan, Tilt, and Zoom is possible with the 2-axis Joystick and the zoom knob. Using the controller is an easy job with a well thought out button layout. Easy access all the cameras setting in the OSD, and call back your favorite settings such as Shutter, Focus, IRIS, Gain, Zoom, and movement speeds.



## Remote Control via Ethernet or serial port RS-422

The RMC-300A can control PTZ and block cameras, as well as robotic camera heads such as the Datavideo PTR-10 by using the ethernet DVIP or RS-422 interfaces. Up to 8 RS-422 cameras can be connected at the same time. Remote control of select switchers will be a future feature.



## Tally signal supported

The RMC-300A is designed for professional live production use. With the 24 camera control simultaneously with tally signal output, compatible with all Datavideo tally lights.



## RMC-300A Rear View

- DVIP:** for DVIP control
- USB:** USB 2.0 for firmware upgrade
- RS-422:** up to 8 port for serial control
- Tally in:** connecting from switcher output tally signal



# Explanation of buttons and controls for each part of RMC-300A

Part A

Part B

Part D



Part C



## Part A



### Speed settings for PTZ control

Pan/Tilt/Zoom speed can be fixed at fast, middle, and slow speed





### Zoom knob and lock button

For the camera to zoom in/out, and the Lock button to help you secure the position of the joystick and the zoom knob.



### Recording assist

To trigger the Datavideo HDR-80/90 ProRes 4K recorder to record or stop. (Future function)



### LED button brightness adjustment

A real-time adjustment for the RMC-300A buttons.



### General camera control and parameters set up

Set up the automatic mode of WB, Focus, IRIS, exposure, One-push WB, and more. Most of the functions from this part are for the frequently used feature.





# Part B



## 5" Touch screen for multiple functions

Directly set up the devices by touch screen. Special design the RGB keyboard LED color to indicate the different settings for the camera, switcher, and recorder.



## Camera setting control

With the frequently used camera setting function, you can set up Shutter, Focus, Iris, and Gain, and parameters manually by a rotary knob.





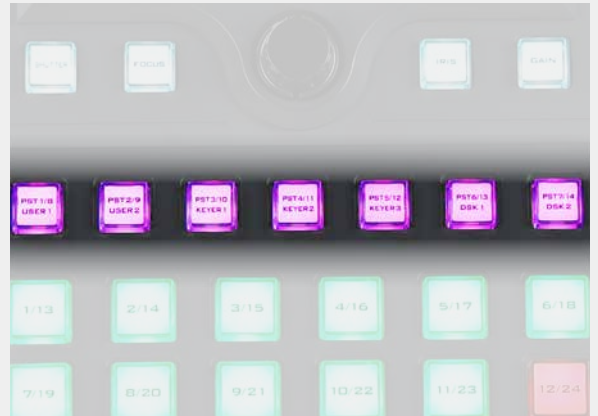


# Part C



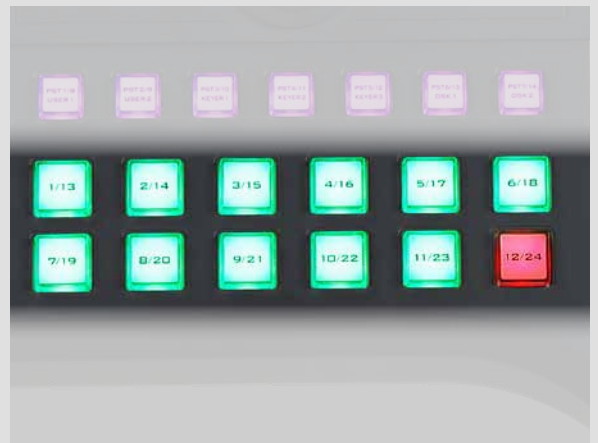
## Camera and switcher presets keys

To call back the preset for switcher and camera, just quickly push the bottom to get the preset memory back. (Preset for switcher is a future function)



## Camera and switcher control

The two rows buttons can be assigned the four modes by the touch screen. RGB LED showing the corresponding color with the enabled tab on the touch screen.





# Part D



## Camera control joystick

To get the easy and precise pan and tilt joystick control. It is also for OSD control.



## Switcher transition function

To enable the switch with a hard cut, automatic, mix, and wipe transition. (Future function)

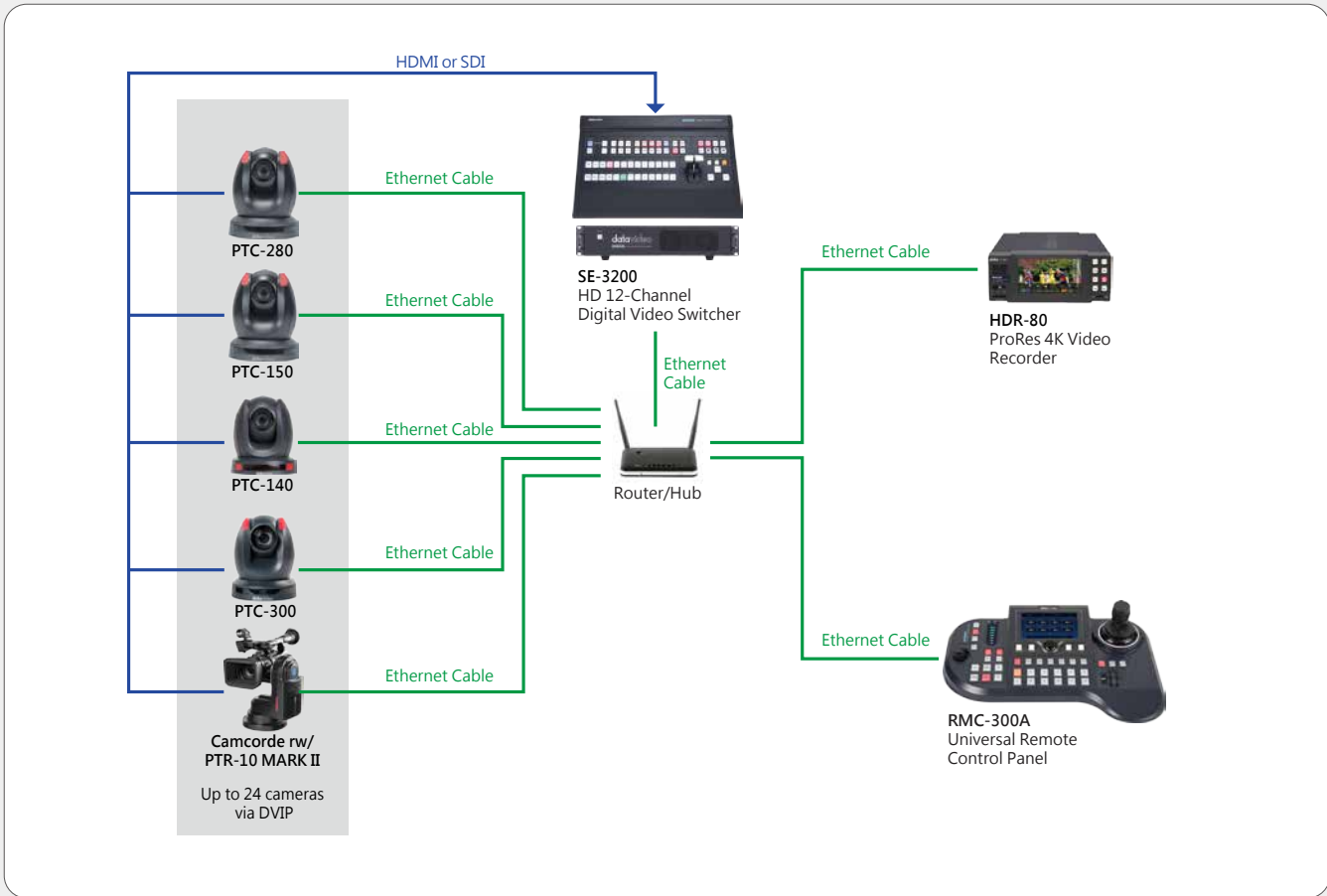


## Switcher T-Bar roller

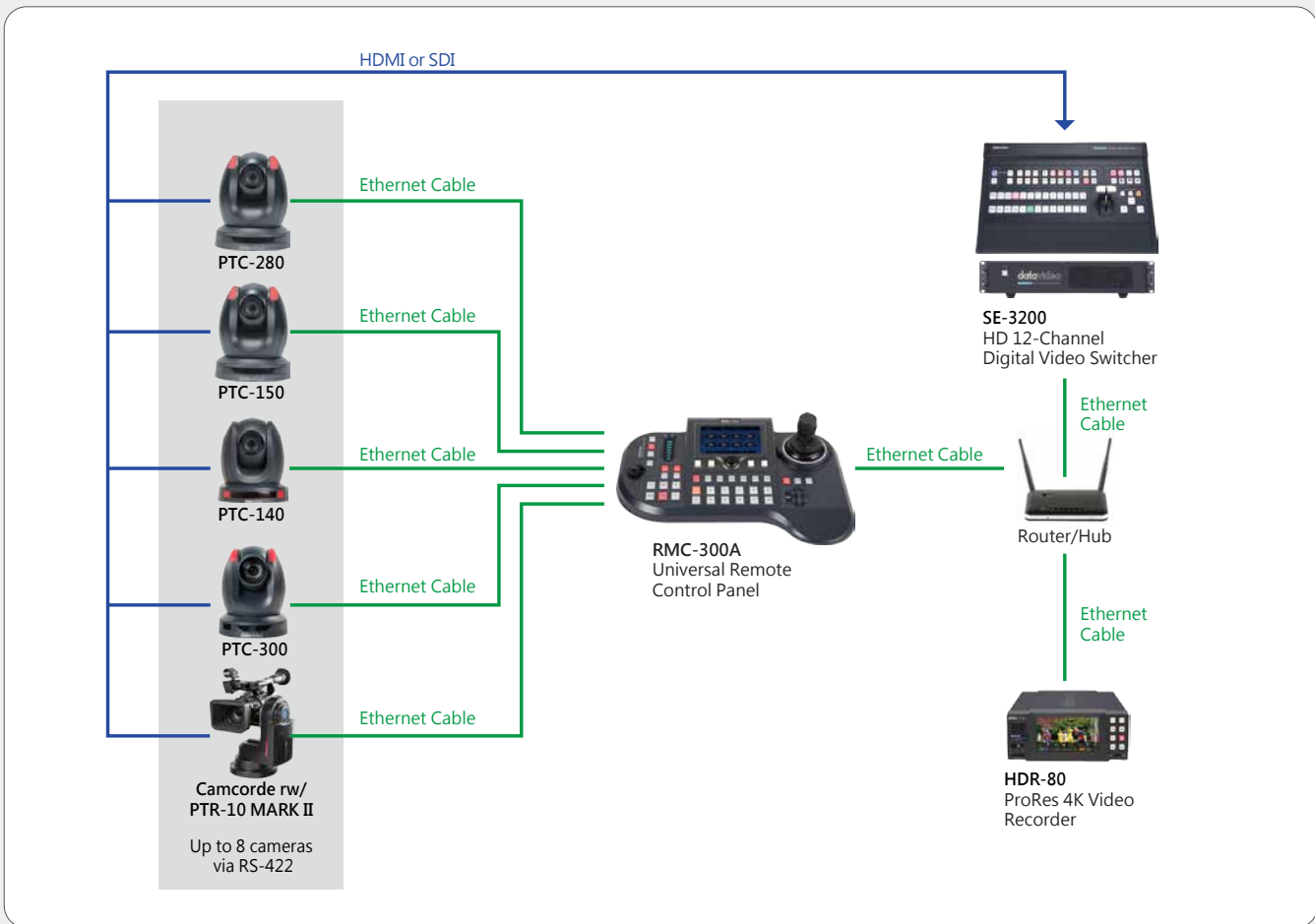
Move the T-Bar roller up or down to switch between switcher preview and program. (Future function)



## Camera control via DVIP

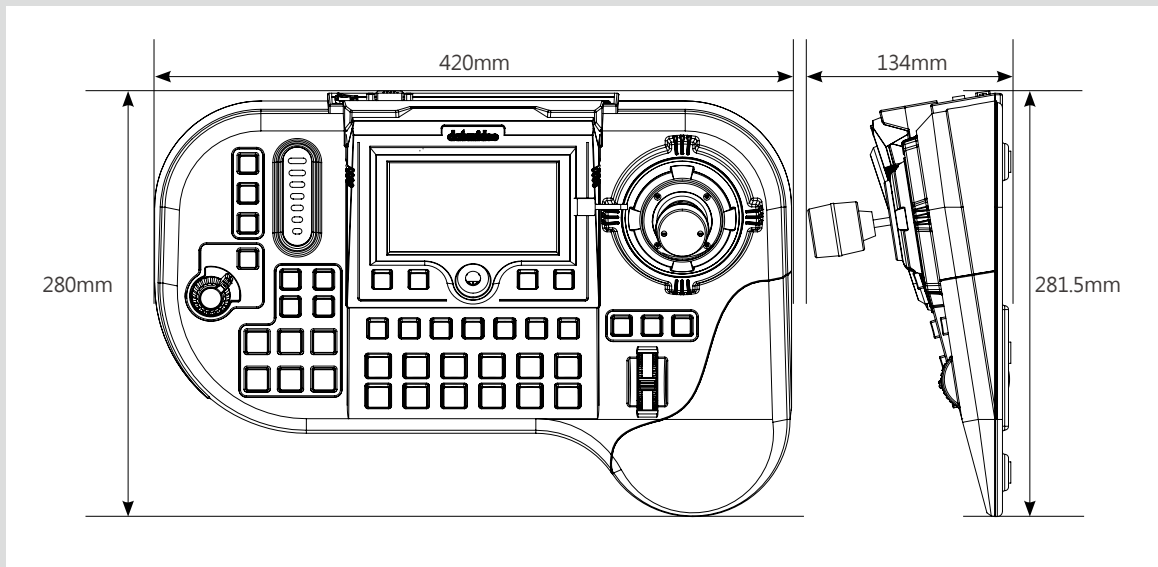


## Camera control via RS-422 (Serial control)



Model Name	RMC-300A
Maximum Camera Control	24
Present (Position)	7 for each camera
Control Protocol	DVIP, DHCP client
Connection to Cameras	RS-422, Ethernet
Input/Output	USB 2.0 x2 10/100Mbps Ethernet (RJ-45 connector) x1 RS-422 (RJ-45 connector) x1
Build-in Control Panel	Size: 5" Resolution: 1280 x 720
Firmware Upgrade	USB 2.0
Dimension	420 x 294 x 134 mm
Weight	1.5 kg
Operating Temp. Range	0°C ~ 40°C (32°F~104°F)
Storage Temperature	- 10°C ~ 60°C (14°F~140°F)
Operating Humidity	10 % to 80 % (non-condensing)
Power	DC 12V, 19W

## Dimension



### FACEBOOK

@DatavideoUSA  
@DatavideoEMEA  
@DatavideoTaiwan  
@DatavideoAsia



### YOUTUBE

@DatavideoUSA  
@DVTWDVCN



### INSTAGRAM

@Datavideo  
@Datavideo\_EMEA  
@Datavideo\_Taiwan



### TWITTER

@DatavideoUSA  
@DatavideoEurope

Ver.20201217