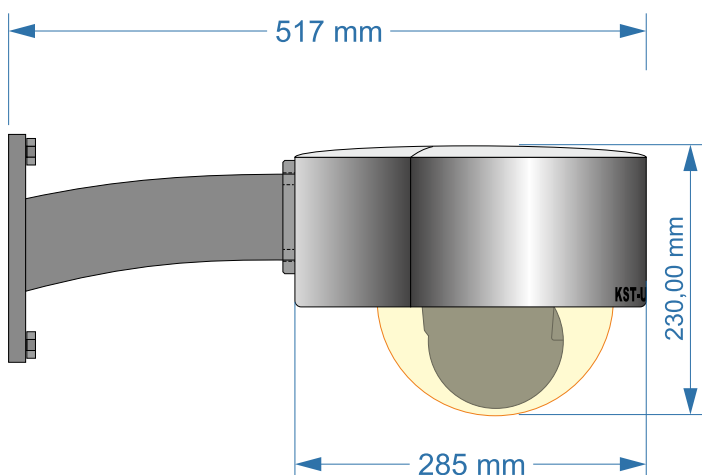




Outdoor Housing

- Can be used from -20°C to +40°C due to active ventilation / heating; can be extended to -40°C to +60°C
- IP 64 protection class: protection against environmental influences such as dust, smog, salt, humidity and insects as well as dust and insect filters
- configurations with SDI (SF) / HDMI output, IP streaming & POE power supply (depending on camera specification)
- suitable for wall and ceiling mounting
- compatible with KST wallmount systems
- available in all RAL colors, standard RAL 9002 (grey white)
- power supply: 230 VAC, alternatively 12 VDC or POE
- connections: SDI/HDSI out (or HDMI), optional CVBS out, Genlock in, LAN
- Control connections: LAN, optional RS422
- Length of connection cable set: 2.5 m from mounting flange (optionally in special lengths)
- Sun and weather protection roof

KST-OH-S



Insertable Cameras

Panasonic AW-HE40
Panasonic AW-UE50
Panasonic AW-UE70