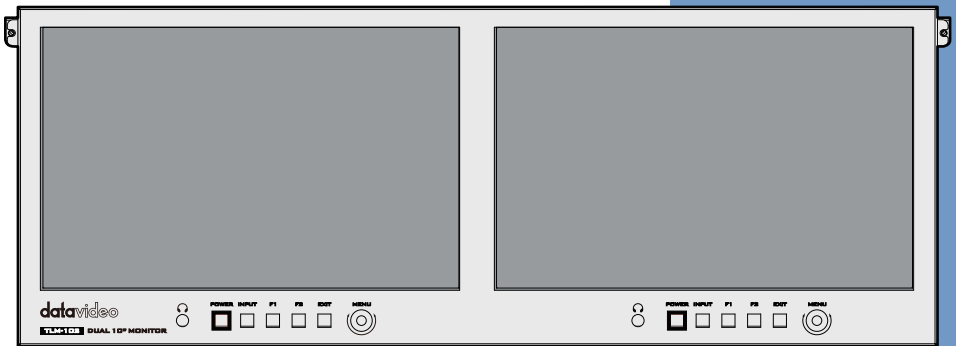


datavideo



DUAL 10" MONITOR TLM-102 Instruction Manual

www.datavideo.com

Table of Contents

FCC COMPLIANCE STATEMENT	3
WARNINGS AND PRECAUTIONS	3
WARRANTY.....	4
STANDARD WARRANTY	4
THREE YEAR WARRANTY	4
DISPOSAL.....	5
1. INTRODUCTION.....	6
FEATURES	6
TLM-102 MODEL TYPE	7
COMPATIBLE RESOLUTIONS AND FORMATS.....	8
2. CONNECTIONS AND CONTROLS.....	9
FRONT PANEL.....	9
REAR PANEL.....	11
3. SOFTWARE FUNCTION	12
4. OSD MENU	13
5. INSTALL THE TLM-102.....	15
6. DIMENSIONS.....	18
7. SPECIFICATIONS	19
8. ACCESSORIES.....	21
9. SERVICE AND SUPPORT	22

Disclaimer of Product and Services

The information offered in this instruction manual is intended as a guide only. At all times, Datavideo Technologies will try to give correct, complete and suitable information. However, Datavideo Technologies cannot exclude that some information in this manual, from time to time, may not be correct or may be incomplete. This manual may contain typing errors, omissions or incorrect information. Datavideo Technologies always recommend that you double check the information in this document for accuracy before making any purchase decision or using the product. Datavideo Technologies is not responsible for any omissions or errors, or for any subsequent loss or damage caused by using the information contained within this manual. Further advice on the content of this manual or on the product can be obtained by contacting your local Datavideo Office or dealer.

FCC Compliance Statement

This device complies with part 15 of the FCC rules. Operation is subject to the following two conditions:

1. This device may not cause harmful interference, and
2. This device must accept any interference received, including interference that may cause undesired operation.

Warnings and Precautions

1. Read all of these warnings and save them for later reference.
2. Follow all warnings and instructions marked on this unit.
3. Unplug this unit from the wall outlet before cleaning. Do not use liquid or aerosol cleaners. Use a damp cloth for cleaning.
4. Do not use this unit in or near water.
5. Do not place this unit on an unstable cart, stand, or table. The unit may fall, causing serious damage.
6. Slots and openings on the cabinet top, back, and bottom are provided for ventilation. To ensure safe and reliable operation of this unit, and to protect it from overheating, do not block or cover these openings. Do not place this unit on a bed, sofa, rug, or similar surface, as the ventilation openings on the bottom of the cabinet will be blocked. This unit should never be placed near or over a heat register or radiator. This unit should not be placed in a built-in installation unless proper ventilation is provided.
7. This product should only be operated from the type of power source indicated on the marking label of the AC adapter. If you are not sure of the type of power available, consult your Datavideo dealer or your local power company.
8. Do not allow anything to rest on the power cord. Do not locate this unit where the power cord will be walked on, rolled over, or otherwise stressed.
9. If an extension cord must be used with this unit, make sure that the total of the ampere ratings on the products plugged into the extension cord do not exceed the extension cord rating.
10. Make sure that the total amperes of all the units that are plugged into a single wall outlet do not exceed 15 amperes.
11. Never push objects of any kind into this unit through the cabinet ventilation slots, as they may touch dangerous voltage points or short out parts that could result in risk of fire or electric shock. Never spill liquid of any kind onto or into this unit.
12. Except as specifically explained elsewhere in this manual, do not attempt to service this product yourself. Opening or removing covers that are marked "Do Not Remove" may expose you to dangerous voltage points or other risks, and will void your warranty. Refer all service issues to qualified service personnel.

13. Unplug this product from the wall outlet and refer to qualified service personnel under the following conditions:
 - a. When the power cord is damaged or frayed;
 - b. When liquid has spilled into the unit;
 - c. When the product has been exposed to rain or water;
 - d. When the product does not operate normally under normal operating conditions. Adjust only those controls that are covered by the operating instructions in this manual; improper adjustment of other controls may result in damage to the unit and may often require extensive work by a qualified technician to restore the unit to normal operation;
 - e. When the product has been dropped or the cabinet has been damaged;
 - f. When the product exhibits a distinct change in performance, indicating a need for service.

Warranty

Standard Warranty

- Datavideo equipment are guaranteed against any manufacturing defects for one year from the date of purchase.
- The original purchase invoice or other documentary evidence should be supplied at the time of any request for repair under warranty.
- The product warranty period begins on the purchase date. If the purchase date is unknown, the product warranty period begins on the thirtieth day after shipment from a Datavideo office.
- Damage caused by accident, misuse, unauthorized repairs, sand, grit or water is not covered under warranty.
- Viruses and malware infections on the computer systems are not covered under warranty.
- Any errors that are caused by unauthorized third-party software installations, which are not required by our computer systems, are not covered under warranty.
- All mail or transportation costs including insurance are at the expense of the owner.
- All other claims of any nature are not covered.
- Cables and batteries are not covered under warranty.
- Warranty only valid in the country or region of purchase.
- Your statutory rights are not affected.

Three Year Warranty

- All Datavideo products purchased after July 1st, 2017 are qualified for a free two years extension to the standard warranty, providing the product is registered with Datavideo within 30 days of purchase.

- Certain parts with limited lifetime expectancy such as LCD panels, DVD drives, Hard Drive, Solid State Drive, SD Card, USB Thumb Drive, Lighting, Camera module, PCIe Card are covered for 1 year.
- The three-year warranty must be registered on Datavideo's official website or with your local Datavideo office or one of its authorized distributors within 30 days of purchase.

Disposal



For EU Customers only - WEEE Marking.

This symbol on the product indicates that it should not be treated as household waste. It must be handed over to an applicable take-back scheme for the recycling of Waste Electrical and Electronic Equipment. For more detailed information about the recycling of this product, please contact your local Datavideo office or your local

recycling centre.

1. Introduction


The Datavideo TLM-102 Dual 10" monitor is a 4RU Rack mount dual monitor which is designed for the broadcast quality monitoring application. Datavideo TLM-102's 4RU rack design, SDI and HDMI inputs and outputs and different mounting methods make it the best solution for various applications such as live vans, on-site monitoring and video wall.

The Datavideo TLM-102 Dual 10" monitor brings high quality and user friendly viewing experience for users via its excellent display quality and advanced auxiliary functions. Please see following chapters for more details about the TLM-102 Dual 10" monitor.

Features

- Dual 10" Monitor with 1280*800 IPS Panel Resolution.
- Dual Monitor with 4RU Rack Mount.
- Support 3G-SDI video input with loop-through output.
- Support HDMI video input with loop-through output.
- Support OSD menu for various functions including Column (YRGB peak), time code, waveform, vector scope, audio level meter, peaking, zoom, pix to pix, underscan, check field, etc.
- Support SDI & HDMI Cross Conversion.
- Individual adjustment of Brightness, Contrast, Color Saturation and LED Backlight Level for each monitor.
- Colour temperature menu option has 4 modes (6500K, 7500K,9300K and user defined)
- Support front panel headphone jack.
- Support 15 pin Tally input interface.
- Support User-definable function buttons F1 and F2

TLM-102 Model Type

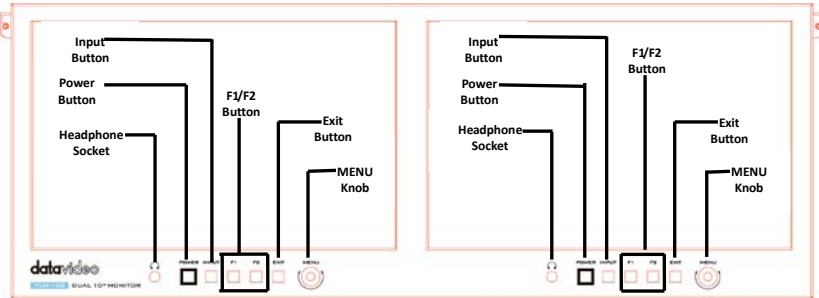
Model	TLM-102
Image	
System	4U Rack Mount

Compatible Resolutions and Formats

Format	TLM-102 Interface	
	HDMI	SDI
1920x1080P @ 59.94	Support	Support
1920x1080P @ 60	Support	Support
1920x1080P @ 50	Support	Support
1920x1080P @ 29.97	Support	Support
1920x1080P @ 25	Support	Support
1920x1080P @ 30	Support	Support
1920x1080P @ 23.98	Support	Support
1920x1080P @ 24	Support	Support
1920x1080i @ 59.94	Support	Support
1920x1080i @ 60	Support	Support
1920x1080i @ 50	Support	Support
1280x720P @ 59.94	Support	Support
1280x720P @ 60	Support	Support
1280x720P @ 50	Support	Support
1280x720P @ 23.98	Support	Support
1280x720P @ 24	Support	Support
1280x720P @ 25	Support	Support
1280x720p@29.97	Support	Support
1280x720p@30	Support	Support
720 x 480i (NTSC)	Support	Support
720 x 576i (PAL)	Support	Support

2. Connections and Controls

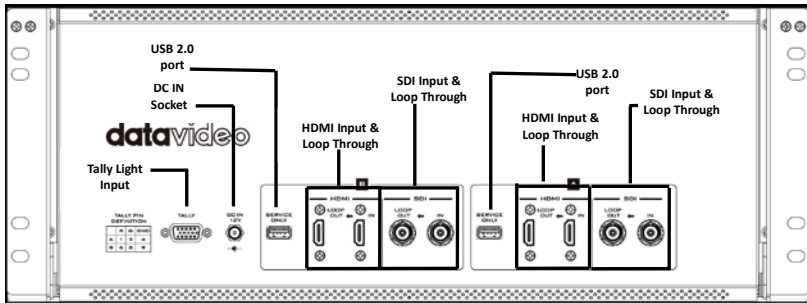
Front Panel



Buttons	Descriptions
Headphone Socket	3.5mm headphone socket.
Power Button	Press the power button to turn ON/OFF the monitor.
Input Button	This button is for users to select the input signal type. The available input interfaces are SDI and HDMI.
F1/F2 Button	<p>Long press any F1-F2 key for 3-5 seconds to pop-up shortcut menu directly. Select option via dialing to the left or right. Press to confirm option as default, then press EXIT to exit.</p> <p>Functions of F1-F2 buttons can also be customized: Center Marker, Aspect Marker, Check, Field, Underscan, Scan, Aspect, DSLR, Freeze, H/V delay, Peaking, False Color, Exposure, Histogram, Level Meter, Waveform and Time Code.</p> <p>Default function:</p>

	F1: Scan F2 :Waveform
Exit Button	Press the Exit button to exit or go back.
Menu Knob	<p>Menu Function: press to activate the menu displayed on screen.</p> <p>Option Function: select the options in the menu via dialing to the left or right.</p> <p>Confirm Function: press to confirm after option selected.</p> <p>Shortcut Function: Turn the Menu Knob to left or right, brightness will appear at the bottom of the screen, then press the Menu Knob to select brightness, sharpness, contrast, saturation, volume, tint, and Exit. User can adjust the parameters of the selected item by turning left or right to meet their needs.</p>

Rear Panel



Ports	Descriptions													
Tally Light Input	Tally light information can be supplied to the TLM-102 from Datavideo's switchers via this socket. Pin1 and pin6 represent "Red". Pin3 and pin 8 represents "Green". Pin4 and pin9 represents "GND".	<p>TALLY PIN DEFINITION</p> <table border="1"> <thead> <tr> <th></th> <th>R</th> <th>G</th> <th>GND</th> </tr> </thead> <tbody> <tr> <th>A</th> <td>1</td> <td>3</td> <td>4</td> </tr> <tr> <th>B</th> <td>6</td> <td>8</td> <td>9</td> </tr> </tbody> </table>		R	G	GND	A	1	3	4	B	6	8	9
	R	G	GND											
A	1	3	4											
B	6	8	9											
Service Only USB Port	For service only. The two USB ports are used for maintenance, firmware update or further function upgrading Only by the original manufacturer. For customers, please DO NOT use these service ports.													
SDI Input & Loop Through	BNC Input for HD / SD SDI with a loop through output.													
HDMI Input & Loop Through	Video and Audio input from an HDMI device.													
DC In Socket	DC In Socket for connecting 12V / 3A power supply. The connection can be secured by screwing the outer fastening ring of the DC In plug to the socket.													

Note 1: the interfaces within the monitor 1 only provide signal sources for the monitor1 and the interfaces within the monitor 2 provide signal sources for the monitor 2 only.

Note2: The Tally Light Input and 12V DC IN interfaces are common interfaces for both monitor 1 and monitor 2.

3. Software Function

Basic Functions	
Center Marker	●
Safety Marker	●
Aspect Marker	●
Aspect	●
Underscan	●
Pixel to Pixel	●
Zoom	●
H/V Delay	●
DSLR	●
Freeze	●
Image Flip	●
Check Field	●
Level Meter	●
TALLY	●
Advanced Functions	
Peaking	●
False Color	●
Exposure	●
Histogram	●
Waveform	●
Vector	●
Time Code	●
HDMI/SDI Convert	●
Color Bar	●

4. OSD Menu

The TLM-102 can be set up using an OSD menu system. To display the OSD menu, please press the MENU knob. This menu system is navigated using the knob to change a value or to highlight a menu option. Press the MENU Knob to select an option or confirm a value.

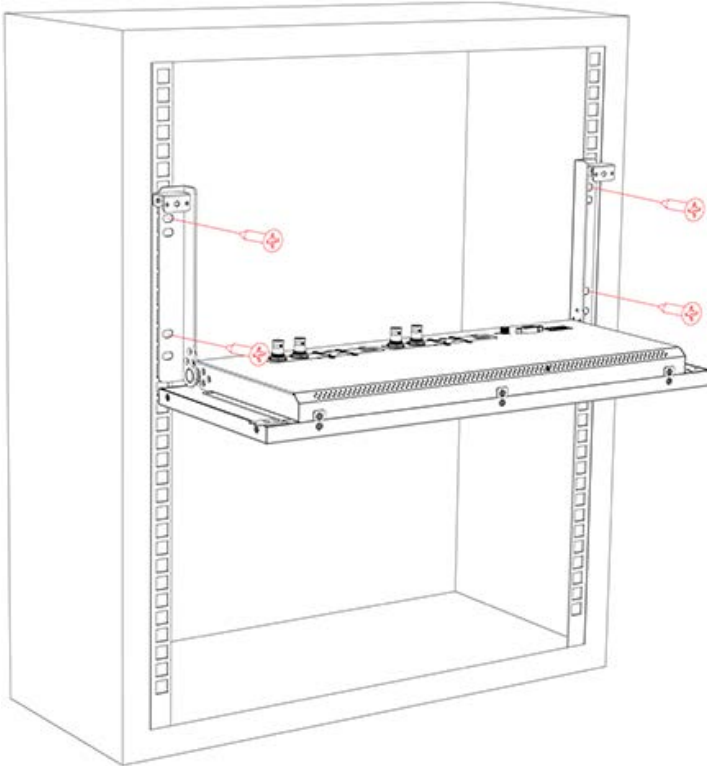
Main Options	Sub Options	Parameters
Picture	BRIGHTNESS	0~100
	CONTRAST	0~100
	SATURATION	0~100
	TINT	0~100
	Sharpness	0~100
	Color Temp.	6500K/7500K/9300K/User
Marker	Center Marker	On/Off
	Aspect Marker	Off/16:9/1.85:1/2.35:1/4:3/3:2
	Safety Marker	Off/95%/93%/90%/88%/85%/80%
	Marker Color	Red/Green/Blue/White/Black
	Marker Mat	Off/1~7
	Thickness	2/4/6
Function	Scan	Aspect/Pixel to Pixel/Zoom
	Aspect	Full/16:9/1.85:1/2.35:1/4:3/3:2
	Underscan	On/Off
	H/V Delay	OFF/H/V/HV
	Check Field	OFF/RED/GREEN/BLUE
	Zoom	10%~90%
	Freeze	On/Off
	DSLR	Off/5D2/5D3 (under HDMI)
Waveform	3G Format	Normal GBRA444 10 YCbCrA444 10 YCbCrA422 12 GBR444 12 YCbCr444 12 (under SDI)
	Waveform	Off/Multi/Y/YCbCr/RGB
	Waveform Trans.	Off/20%/50%
	Peaking	Off/On
	Peaking Color	Red/Green/Blue/White
	Peaking Level	0~100
	False Color	On/Off
	Exposure	On/Off
	Exposure Level	0~100
Histogram	Off/Y/RGB/Color	

	Time Code	Off/LTC/VITC(under SDI)
Audio	Volume	0~100
	Level Meter	On/Off
	Audio Ch	Ch1&Ch2 (under SDI)
	Language	English/Chinese
System	HDMI/SDI Convert	On/Off
	Color Bar	On/100%/75%
	OSD Timer	10s/20s/30s
	Back light	0 ~100
	Reset	On/Off
	Version	V1.0

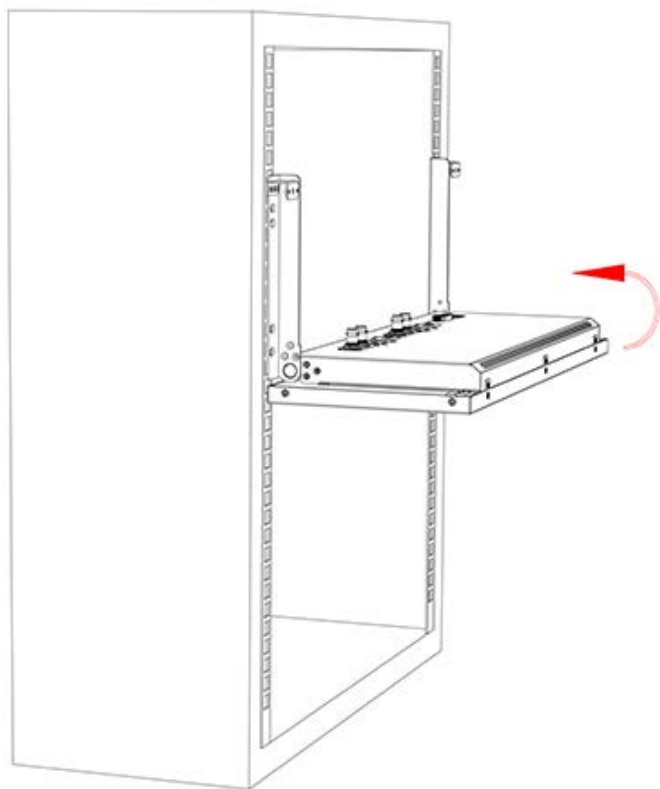
5. Install the TLM-102

For installing the TLM-102 Dual 10" monitor, please refer to following diagrams.

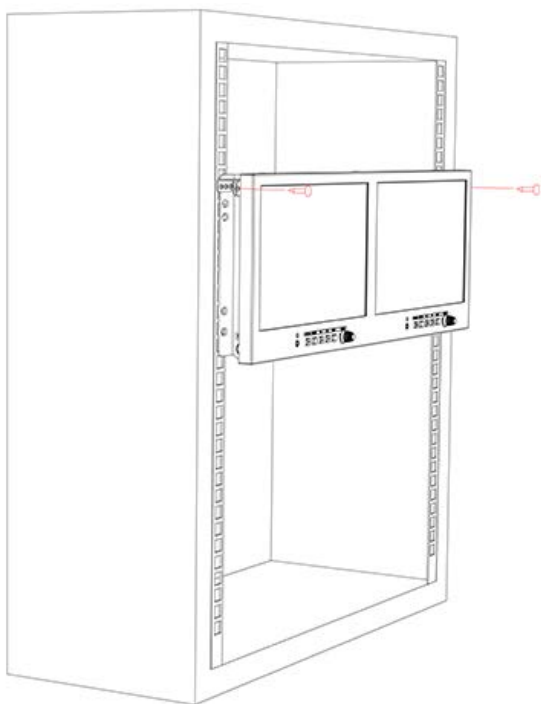
1.



2.



3.






7. Specifications

LCD	Size	10.1"
	Resolution	1280 x 800
	Active Area	216.96(H) × 135.60(V) mm
	Dot Pitch	0.0565 (H) × 0.1695 (V) mm
	Contrast Ratio	800:1
	View Angle (Typ.)	170°(H) / 170°(V)
	Aspect Ratio	16:10
	Brightness	300cd/m ²
Video Input	1x HDMI, 1 x SDI	
Video Output	1x HDMI, 1 x SDI	
SDI Signal Format	1920 x 1080p 50/59.94/60 1920x1080p 23.98/23.98sf/24/24sf/25/25sf/29.97/29.97sf/30/30sf 1920x1080i 50/59.94/60 1280x720p 23.98/24/25/29.97/30/50/59.94/60 720 x480i (NTSC) 720 x576i (PAL)	
HDMI Signal Format	1920x1080p 50/59.94/60 1920x1080p 23.98/24/25/29.97/30 1920x1080i 50/59.94/60 1280x720p 23.98/24/25/29.97/30/50/59.94/60 720 x480i (NTSC) 720 x576i (PAL)	
Audio Input	Embedded Audio	
Audio Output	Analog stereo (Phone Jack)	
Tally	Tally Port x 1	
Service	USB x 2	
Power	DC 9~24V	
Power Consumption	≤24 Watts	
Operating Temperature	-10°C ~ 40°C (14°F-104°F)	

Storage Temperature	-40°C ~ 60°C(-40°F-140°F)
Dimension(mm)	482.5(L)× 178(W)× 38(D) mm
Weight	3.6Kg
Accessory	TALLY× 1 piece 12V DC adapter× 1 piece Manual× 1copy

8. Accessories

 1	 2	 3
Accessories	Quantity	
1. DC 12V Power adapter	1 piece	
2. Tally Connector	1 piece	
3. Manual	1 piece	

Service & Support

It is our goal to make owning and using Datavideo products a satisfying experience. Our support staff is available to assist you to set up and operate your system. Contact your local office for specific support requests. Plus, please visit www.datavideo.com to access our FAQ section.

China Shanghai
Datavideo Technologies China Co
601, Building 10, No. 1228,
Rd. Jianggang
Jingan District, Shanghai
Tel: +86 21-5603 6599
Fax: +86 21-5603 6770
E-mail: service@datavideo.cn

China Beijing
Datavideo Technologies China Co
No. 812, Building B, Wankai Center,
No. 316, Wan Feng Road, Fengtai District,
Beijing, China
Tel: +86 10-8586 9034
Fax: +86 10-8586 9074
E-mail: service@datavideo.cn

China Chengdu
Datavideo Technologies China Co
B-823, Meinian square, No. 1388,
Middle of Tianfu Avenue, Gaoxin District,
Chengdu, Sichuan
Tel: +86 28-8613 7786
Fax: +86 28-8513 6486
E-mail: service@datavideo.cn

China Fuzhou
Datavideo Technologies China Co
A1-2318-19 Room, No. 8, Aojiang Road,
Tajiang District, Fuzhou, Fujian, China
Tel: 0591-83211756 / 0591-83210187
Fax: 0591-83211262
E-mail: service@datavideo.cn

China Jinan
Datavideo Technologies China Co
902, No. 1 business building,
Xiangtai Square, No. 129,
Yingxiangshan Road, Shizhong District,
Jinan City, Shandong Province, China
Tel: +86 531-8607 8813
E-mail: service@datavideo.cn

Hong Kong
Datavideo Hong Kong Ltd
G/F, 26 Cross Lane
Wanchai, Hong Kong
Tel: +852-2833-1981
Fax: +852-2833-9916
E-mail: info@datavideo.com.hk

India Noida
Datavideo India Noida
A-132, Sec-63, Noida-201307,
India
Tel: +91-0120-2427337
Fax: +91-0120-2427338
E-mail: sales@datavideo.in

India Kochi
Datavideo India Kochi
2nd Floor- North Wing, Govardhan Building,
Opp. NCC Group Headquarters, Chittoor Road,
Cochin- 682035
Tel: +91 4844-025336
Fax: +91 4844-047696
E-mail: sales@datavideo.in

Netherlands
Datavideo Technologies Europe BV
Floridadreef 106
3565 AM Utrecht,
The Netherlands
Tel: +31-30-261-96-56
Fax: +31-30-261-96-57
E-mail: info@datavideo.nl

Singapore
Datavideo Visual Technology(S) Pte Ltd
No. 178 Paya Lebar Road #06-07
Singapore 409030
Tel: +65-6749 6866
Fax: +65-6749 3266
E-mail: info@datavideovirtualset.com

Singapore
Datavideo Technologies (S) PTE Ltd
No. 178 Paya Lebar Road #06-03
Singapore 409030
Tel: +65-6749 6866
Fax: +65-6749 3266
E-mail: sales@datavideo.sg

Taiwan
Datavideo Technologies Co. Ltd
10F, No. 176, Jian 1st Rd., Chung Ho
District, New Taipei City 235, Taiwan
Tel: +886-2-8227-2888
Fax: +886-2-8227-2777
E-mail: service@datavideo.com.tw

United States
Datavideo Corporation
7048 Elmer Avenue,
Whittier, CA 90602,
U.S.A.
Tel: +1-562-696 2324
Fax: +1-562-696 6930
E-mail: sales@datavideo.com

United Kingdom
Datavideo UK Limited
Brookfield House, Brookfield Industrial
Estate, Peakdale Road, Glossop,
Derbyshire, SK13 6LQ
Tel: +44-1457 851 000
Fax: +44-1457 850 964
E-mail: sales@datavideo.co.uk

France
Datavideo France s.a.r.l.
Cité Descartes 1, rue Albert Einstein
Champs sur Marne 774477 -
Marne la Vallée cedex 2
Tel: +33-1-60370246
Fax: +33-1-60376732
E-mail: info@datavideo.fr



Please visit our website for latest manual update.
www.datavideo.com/product/TLM-102

datavideo

www.datavideo.com

All the trademarks are the properties of their respective owners. Datavideo Technologies Co., Ltd. All rights reserved 2018

Jul-17-2017