



VoiceTrx 100 for Video Conference



The VoiceTrx100 allows DataVideo`s professional PTZ cameras and video switchers to be voice activated, bringing the full multi-camera studio experience to meetings,town halls, council chambers and classrooms. Camera switching, and movement is triggered automatically based on the location of the active speaker. Broadcast style cuts combined with professional CG for

displaying the active speakers` names provides the best possible viewer experience. The VoiceTrx100 supports DataVideo`s vast range of professional video switchers and cameras, this diverse range of hardware support allows us to cater for a broad range of applications and budgets, from small meeting rooms to council chambers and conferences.

www.datavideo.com

CouncilCast Pro Solution



CouncilCast Pro and CouncilCast Plus are advanced solutions for Council Meetings and Panel Discussions. CouncilCast Pro pairs the PTC-145 PTZ camera with iCast10NDI for precise, high-quality video, while CouncilCast Plus uses the BC-15C

POV camera with KMU-100+ for broad coverage. Both are enhanced by VoiceTrx100 for automated, speaker-focused camera operation.



Automated Camera Operation

The VoiceTrx100 uses gooseneck microphone voice detection to automate camera switching and movement, focusing on the active speaker without needing a manual operator.



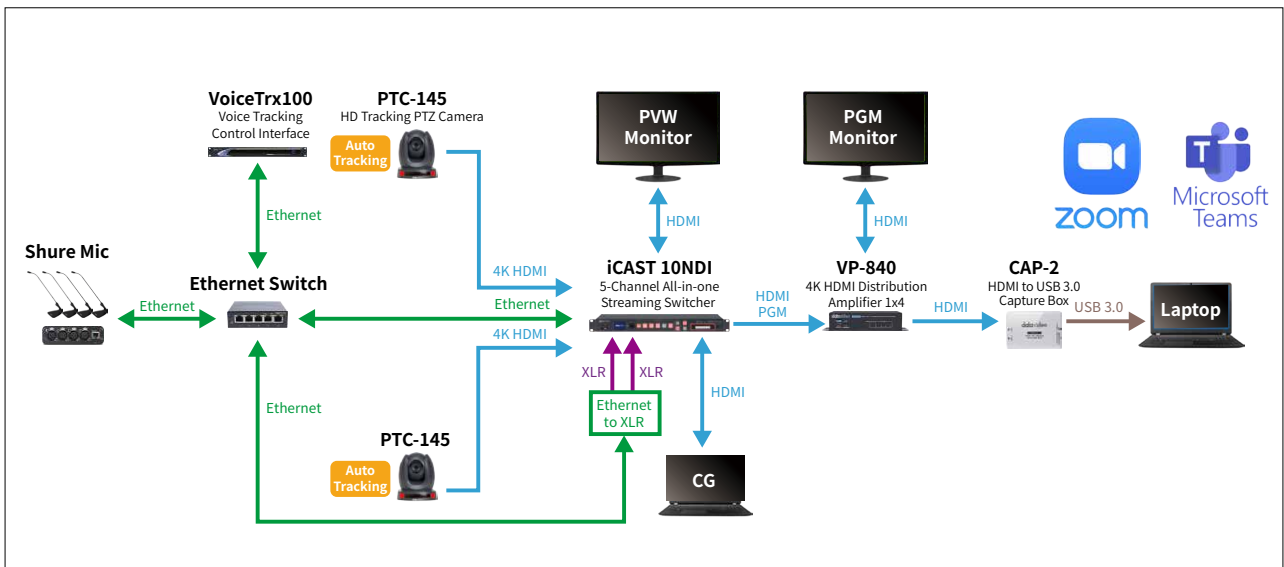
Automated titles

Automatically display the active speakers name on screen with broadcast quality graphics.

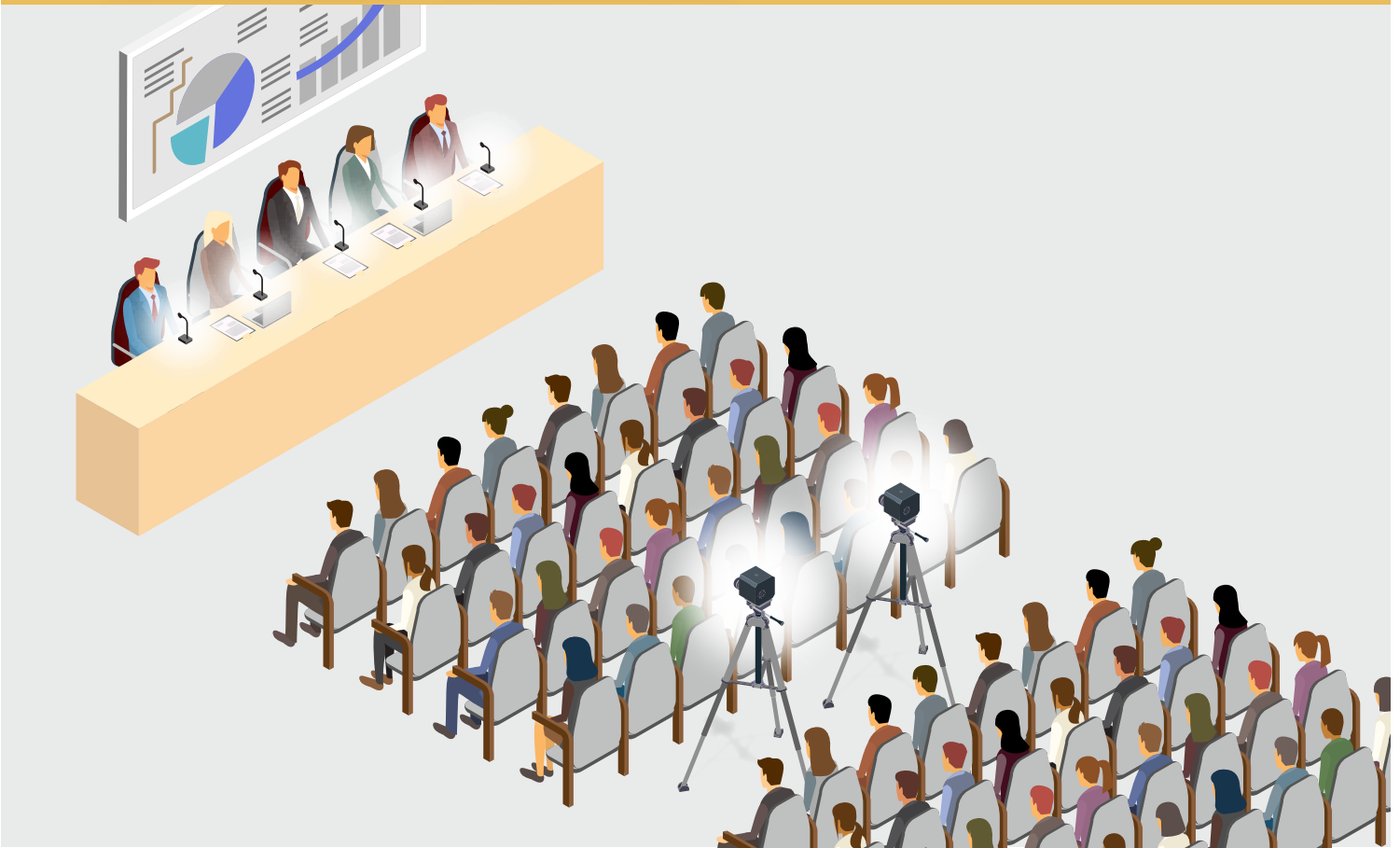


Simultaneous streaming and video conferencing

Output high quality full HD video to a large display or projector while simultaneously streaming and integrating with video conferencing applications such as Zoom, Teams and Google Hangouts.



CouncilCast Plus Solution



Automated Camera Operation

The VoiceTrx100's voice-activation feature automates the camera switching and movement, focusing on the active speaker without the need for a cameraman or switcher operator.



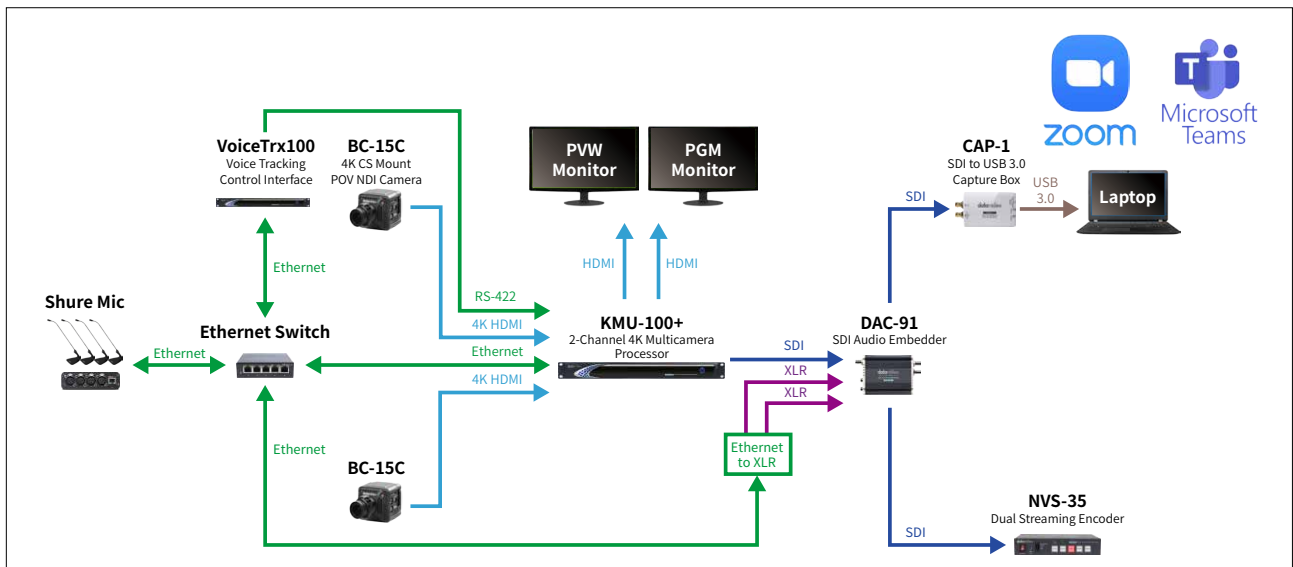
Efficient Coverage with Fewer Cameras

Utilizing just two BC-15C POV cameras in combination with the KMU-100+ allows for extensive coverage of the panel. The KMU-100+ can extract multiple HD shots from these 4K sources, simulating a multi-camera setup and ensuring coverage of all speakers.

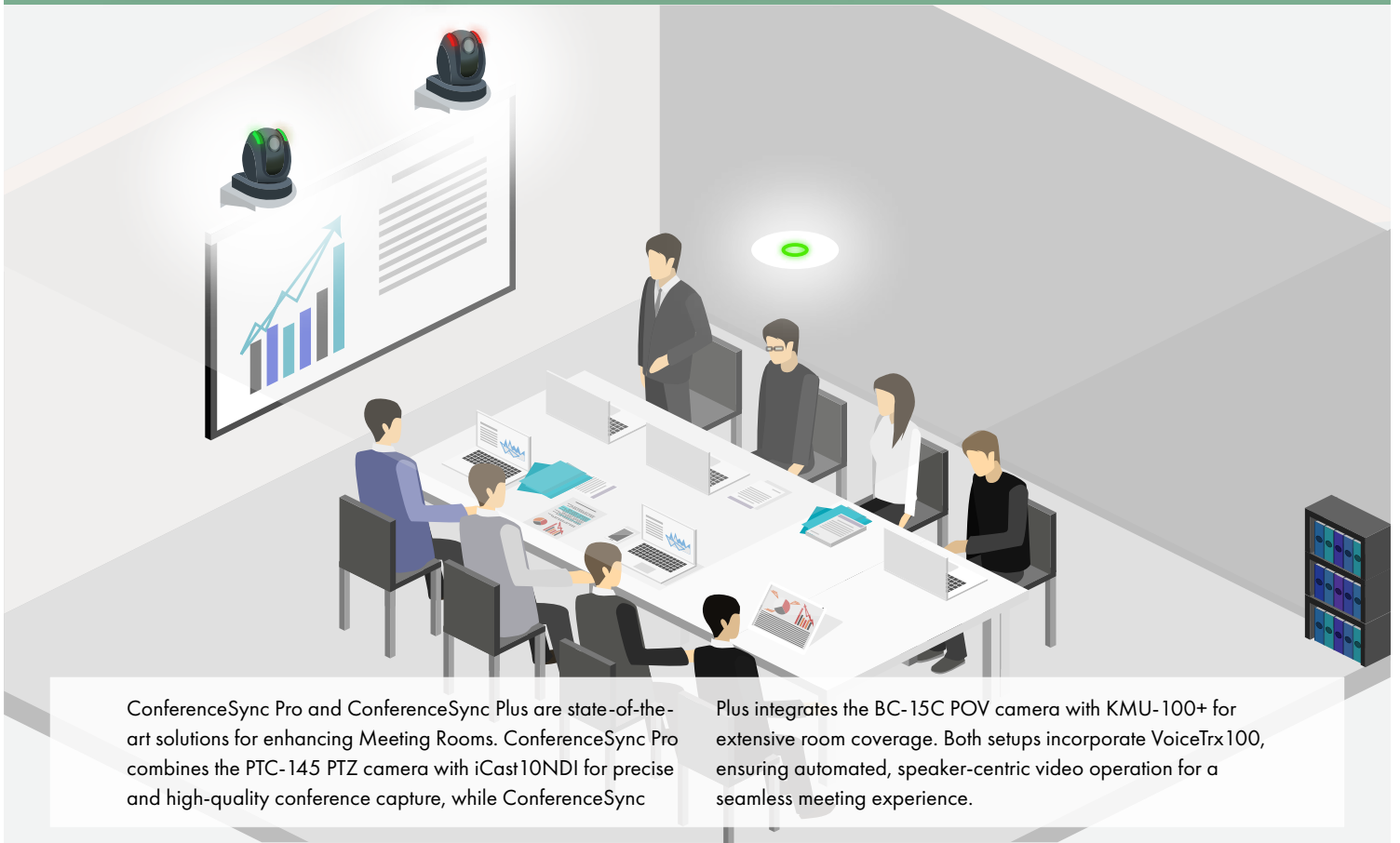


Cost-Effectiveness and Simplified Setup

This setup reduces the need for a large crew and multiple cameras, leading to significant cost savings. Additionally, the KMU-100+ offers instant switching, ideal for scenario's with fast paced exchanges.



ConferenceSync Pro Solution



ConferenceSync Pro and ConferenceSync Plus are state-of-the-art solutions for enhancing Meeting Rooms. ConferenceSync Pro combines the PTC-145 PTZ camera with iCast10NDI for precise and high-quality conference capture, while ConferenceSync

Plus integrates the BC-15C POV camera with KMU-100+ for extensive room coverage. Both setups incorporate VoiceTrx100, ensuring automated, speaker-centric video operation for a seamless meeting experience.



Automated Camera Operation

Using ceiling microphone voice detection, the VoiceTrx100 automatically switches and moves cameras to focus on the active speaker, eliminating the need for a manual cameraman or switcher operator.



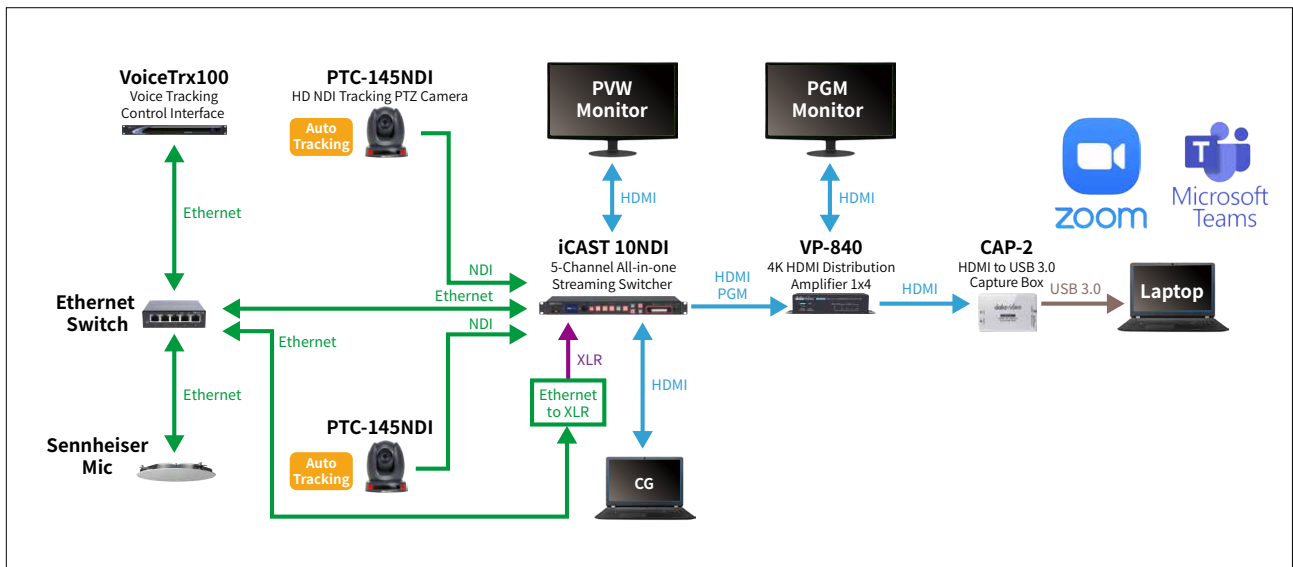
Broadcast-Style Switching

Employing two cameras, we can smoothly reposition the camera that is not currently in view to the next active speaker. This approach allows for clean cuts to the new angle, ensuring the online audience sees only the composed shots, without any camera movement.

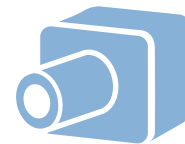


AI Framing

Utilizing the powerful AI technology built into our PTZ cameras we can frame the active speaker to ensure they are correctly positioned.



ConferenceSync Plus Solution



Automated Camera Operation

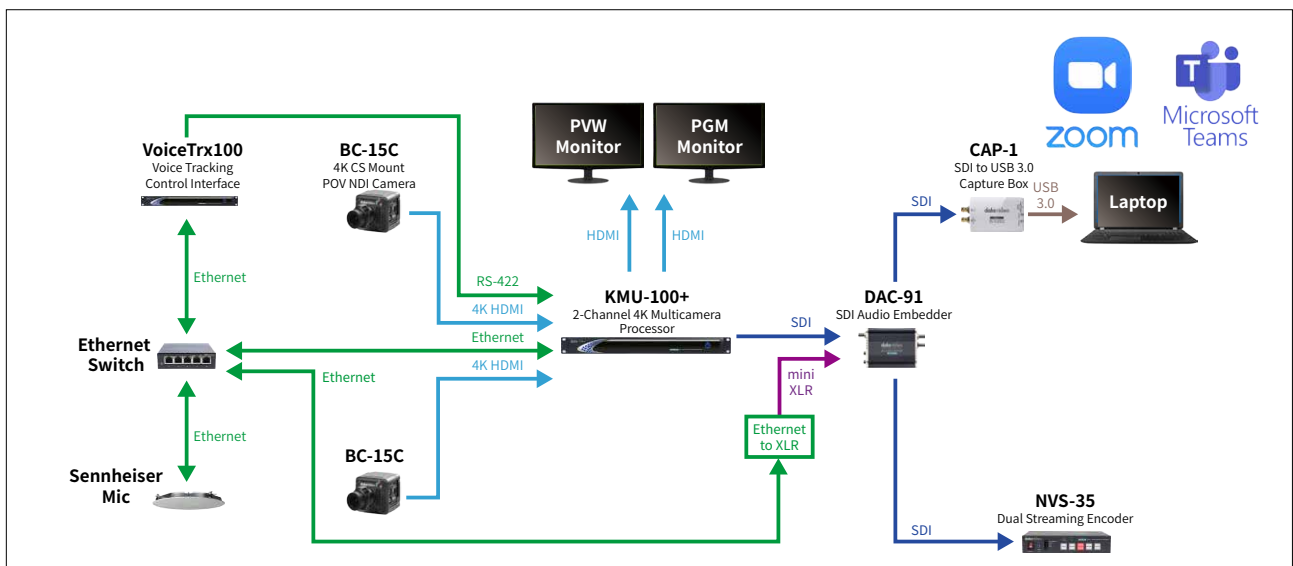
With voice detection from ceiling-mounted microphones, the VoiceTrx100 streamlines camera control by automatically switching the video focus to the active speaker, thus reducing the need for manual camera and switcher operation.

Instant switching

Our unique region of interest switching technology allows instant switching between shots - no need to wait for a mechanical PTZ to move to position and auto-focus. Ideal for fast paced exchanges.

Efficient coverage with fewer cameras

Utilizing just two BC-15C POV cameras in combination with the KMU-100+ allows for extensive coverage of the panel. The KMU-100+ can extract multiple HD shots from these 4K sources, simulating a multi-camera setup and ensuring coverage of all speakers.



Specifications

Model Name	iCAST 10NDI
Product Name	5-Channel All-in-one Streaming Switcher-NDI
Video Standard	HD & SD
Video Format	Input: 1080p60/59.94/50, 1080p30/29.97/25/24/23.98 1080i60/59.94/50 720p60/59.94/50 480i59.94, 576i50 Output: 1080p60/59.94/50 → 1080p60/59.94/50 1080p30/29.97/25/24/23.98 → 1080p30/29.97/25/24/23.98 1080i60/59.94/50 → 1080p30/29.97/25 720p60/59.94/50 → 720p60/59.94/50 480i59.94, 576i50 → 480p29.97, 576p25
Video Input	1 x 3G/HD/SD-SDI (BNC 75 ohm) 4 x HDMI 1.4 (Channel 1 as SDI/HDMI selectable) 1 x USB 3.0 3 x RTSP/ SRT/ NDI HX via IP Stream
Mix HD & SD Source	Yes
Computer Graphic Interface	4 via HDMI
Video Output	1 x 3G/HD/SD-SDI loop-through 1 x HDMI 1.4 1 x HDMI 1.4 (Multiview) 2 x RJ-45 female (10/100/1000M Ethernet) (LAN & WAN)
Down-converted Output	1080p output
Built-in Multi-view Monitoring Out	HDMI x1
Analogue Audio Input	XLR Balanced audio x2 RCA Unbalanced audio x 1 pair SDI embedded audio HDMI embedded audio IP Audio (RTSP AAC-ADTS, PCM) (External and embedded audio mixable)
Analogue Audio Output	3.5mm x1 (headphone, PGM audio monitoring)
Audio Delay Calibration	Each channel delay time: 0-3000ms
A+V Switching	Yes (Full Screen Mode)
Title Creator	Web GUI
Picture in Picture	Yes (PGM)
Logo Insertion	Yes
Effects	Cut
PC Remote Control	Web UI for system configuration and control Serial Port Control: RS-232 (RJ-45)
Built-in Audio Mixer	Yes
Storage	SATA (6Gb/s)
Recording file system	FAT, NTFS, exFAT
Recording file format	MP4
Video Encode	H.264
Audio Encode	AAC-LC Sample rate: 48KHz, 16bit AAC-LC Sample rate: 48KHz, 16bit Configurable bit rate: 128K or 256K or 384K
Streaming Protocol	DHCP client TS over UDP (unicast & multicast) RTSP over HTTP/TCP/UDP RTMP (Publish)/RTMPS HLS SRT Caller and Listener Web RTC (encode/decode) NDI Hx
Firmware Update	Web UI (network)
Special Features	Vertical video: crop or rotate Vertical video Multiview
Chassis	1RU rack-mount mainframe
Dimension (LxWxH)	440x284x44
Weight	2.9 kg
Power	DC 12V 24W
Operating Temp. Range	0~40 °C
What's in the Box	1 x iCast 10NDI main unit 1 x DC 12V Power Adaptor 2 x 1U Rack Mount Ear 6 x M4 Screws for Rack Mount Ear 1 x 2.5" Removable HDD/SSD Enclosure 4 x Screws for 2.5 Removable HDD/SSD Enclosure 1 x Blank Label 1 x SATA to USB 3.0 Cable

Model Name	KMU-100+
Product Name	4K Multicamera Processor
Video Standard	UHD & HD
Video Format	3840x2160p 23.98/24/25/29.97/30/50/59.94/60 1080p 23.98/24/25/29.97/30 1080i 50/59.94/60 1080PsF 23.98/24/25/29.97/30 720p 50/59.94/60
Video Input	2 sets of SDI Input: each set of 4x SDI 1 x 3Gb/s or 12Gb/s SD/HD/4K. Supports single link 4:2:2 3 x 3Gb/s SD/HD/4K. Supports single link, dual link, and quad link 4:2:2 2 x HDMI Input: each of HDMI support for Ultra HD 4K 60p in 4:2:0/4:2:2
Video Output	2 sets of SDI output: each set of 4x SDI 1 x 3Gb/s or 12Gb/s SD/HD/4K. Supports single link 4:2:2 3 x 3Gb/s SD/HD/4K. Supports single link, dual link, and quad link 4:2:2
Support Video Output Resolution	1080p 25/29.97/30/50/59.94/60 1080i 50/59.94/60 720p 50/59.94/60 625/50i PAL, 525/59.94i NTSC
Multiview Out	HDMI 1.4 x2
Multiview Mode	Preview, Motion, Quad
Audio Input	SDI: 16 Ch embedded in HD/4K. 8 Ch embedded in SD HDMI: 8 Ch embedded in SD, HD and Ultra HD 4K
Audio Output	SDI: 16 Ch embedded in HD/4K. 8 Ch embedded in SD HDMI: 8 Ch embedded in SD, HD and Ultra HD 4K
Audio Sampling	Television standard sample rate of 48 kHz at 24-bit
Reference Input	Blackburst, Tri-level
Control Interface	Ethernet RJ45 for control, configuration and updates RS-232 x 1 input for controlling configuration RS-422 x 1 input with external keyboard support GPIO x1
Controller	RMC-185/RMC-185+
Dimension (LxWxH)	484 x 192 x 49 mm
Weight	3.2 kg
Power Supply	DC 12V, 5A
Storage Temperature	- 10°C ~ 60°C (14°F~140°F)
Operating Temp. Range	0~40 °C
What's in the box	1 x KMU-100 Main Unit 1 x AD Switch DC 12V with AC Cord 4 x Screw

Model Name	VoiceTrx100
Product Name	Voice Tracking Control Interface
Control	Web browser UI for configuration and control DVIP commands
Protocol	DVIP
Network Feature	1 x RJ-45 Female (10/100/1000M Ethernet) DHCP/Static IP
POE	IEEE 802.3at
F/W Update	Automatic firmware upgrade
Power	Input AC 100~240V Switching Adaptor Output DC 12V / 1A
Video Output	2 x HDMI 2.0
Supported Video Outout Resolution	3840x2160p: 30/29.97/25/24/23.98 (H.265 Only) 1080p: 30/29.97/25/24/23.98 1080i: 60/59.94/50, 720p: 60/59.94/50 576i 50 (PAL) 480i 60 (NTSC)
Supported Video Switchers	iCast 10NDI, KMU-100+
Supported Microphones	Audio-Technica ATND1061 Shure MXW Microflex Shure MXA-910 Shure MXA-920 Sennheiser TCCM Sennheiser TCC2

3 YEAR WARRANTY

One of the core values of Datavideo is service. To make sure that every user of Datavideo equipment has a trustworthy experience, we do our utmost best, day after day, year after year. We are confident that our products give you reliable service and we back that confidence with a one year warranty period.

On most products, it's possible to extend that warranty for an extra two years after registering. Please make sure to register your Datavideo product directly after purchasing for a 3-year warranty.



Our Technology Partners

Together with Sennheiser, Datavideo is bringing a complete audio and video controlling and switching solution to your conference rooms and huddle spaces. You can now share your meetings online without the need of a production team.



Compatible with a Variety of Platforms

Effortlessly connect and play seamlessly with popular video conferencing platforms such as Zoom, Google Meet, Skype, Microsoft Teams, Webex, GoToMeeting, and others. Our products are designed to work seamlessly on Windows, Mac, and Chromebooks.



The trademarks, logos, and brands mentioned belong to their respective owners and are utilized solely for identification purposes.



@DatavideoUSA
@DatavideoEMEA
@DatavideoTaiwan

@DatavideoAsia
@DatavideoIndia2016
@Datavideojapan



@Datavideo
@Datavideo_EMEA
@Datavideo_Taiwan



@DatavideoUSA
@DVTWDVCN



@DatavideoUSA
@DatavideoEurope

Disclaimers of Product and Services

This brochure is intended as a guide only. We reserve the right to change specifications and availability without prior notice. While we strive for complete accuracy, be aware that it may contain errors and omissions. Prior to purchase, please check with your local Datavideo office or authorised distributor.

Ver.20240618



www.datavideoacademy.com

